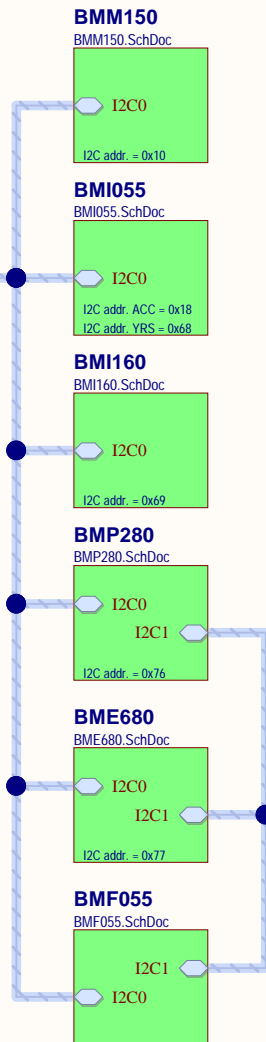
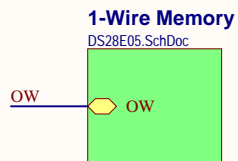
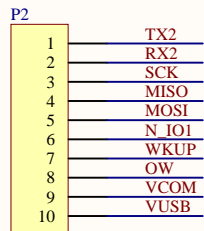
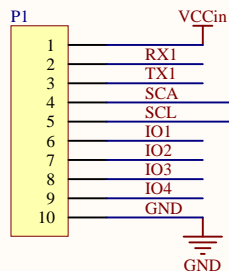
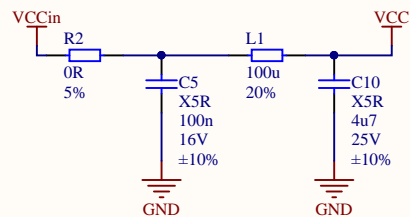


INFOS:

- VCC @ CRAZYFLIE 2.0 = 3V0



Title: BlockDiagramm.SchDoc		
Project: BST00294_Crazyflie20_sensor_deck_v2.PrjPcb		
Drawn by: BST/PRM - Lehmann		
Size: A4	Sheet 1 of 8	Revision: 1.0
Date: 23.05.2017	Time: 14:52:19	
File: C:\User\stja7s\Documents\01_Allium\BST00294_Crazyflie20_sensor_deck_v2\BlockDiagramm.SchDoc		

BOSCH Sensortec GmbH
 BST/PRM
 Gerhard-Kindler-Straße 9
 72770 Reutlingen
 Germany

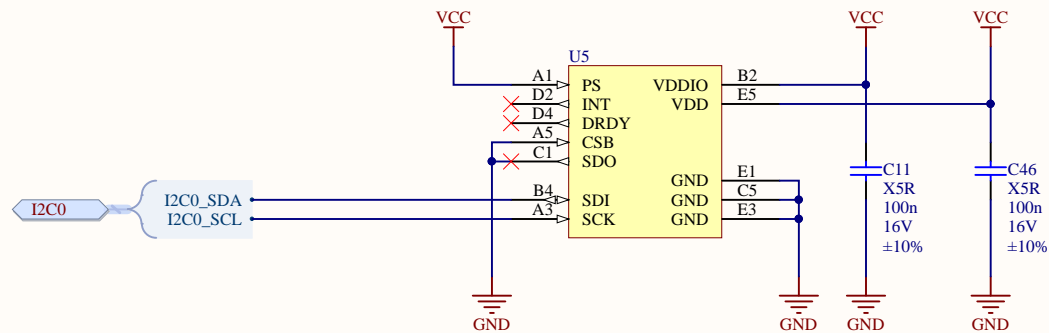


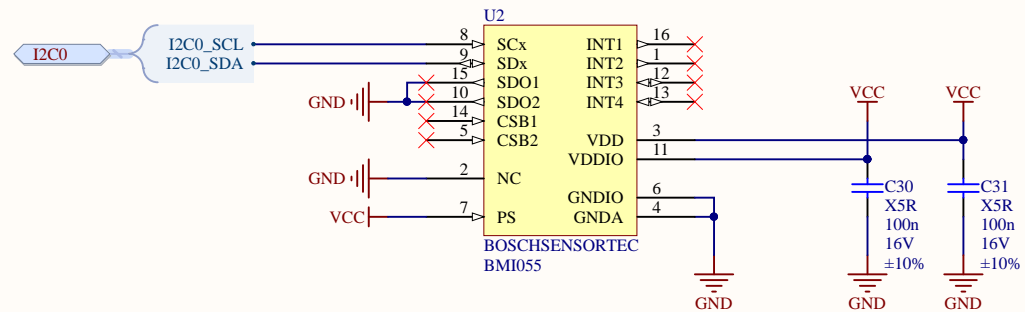
Table 30: BMM150 PC addresses

CSB pin	SDO pin	PC address
GND	GND	0x10
GND	VDDIO	0x11
VDDIO	GND	0x12
VDDIO	VDDIO	0x13

Title: BMM150.SchDoc		
Project: BST00294_Crazyflie20_sensor_deck_v2.PrjPcb		
Drawn by: BST/PRM - Lehmann		
Size: A4	Sheet 2 of 8	Revision: 1.0
Date: 23.05.2017	Time: 14:52:19	
File: C:\Users\stja7s\Documents\01_Altium\BST00294_Crazyflie20_sensor_deck_v2\BMM150.SchDoc		



BOSCH Sensortec GmbH
 BST/PRM
 Gerhard-Kindler-Straße 9
 72770 Reutlingen
 Germany



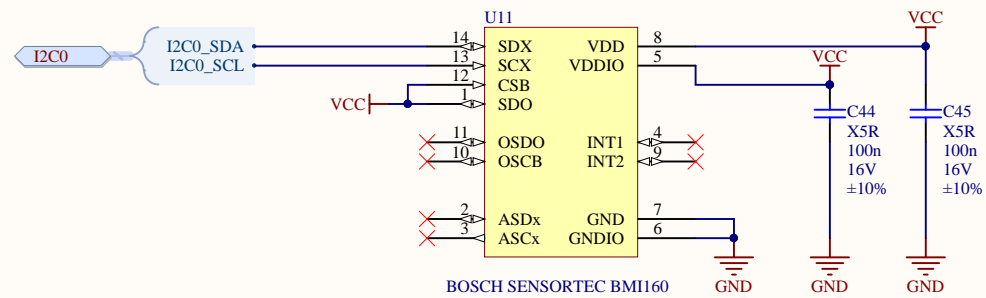
I2C address ACC (SDO1)
 GND = 0x18
 VDDIO = 0x19

I2C address YRS (SDO2)
 GND = 0x68
 VDDIO = 0x69


Title: BMI055.SchDoc		
Project: BST00294_Crazyflie20_sensor_deck_v2.PrjPcb		
Drawn by: BST/PRM - Lehmann		
Size: A4	Sheet 3 of 8	Revision: 1.0
Date: 23.05.2017	Time: 14:52:19	
File: C:\Users\stja7s\Documents\01_Allium\BST00294_Crazyflie20_sensor_deck_v2\BMI055.SchDoc		

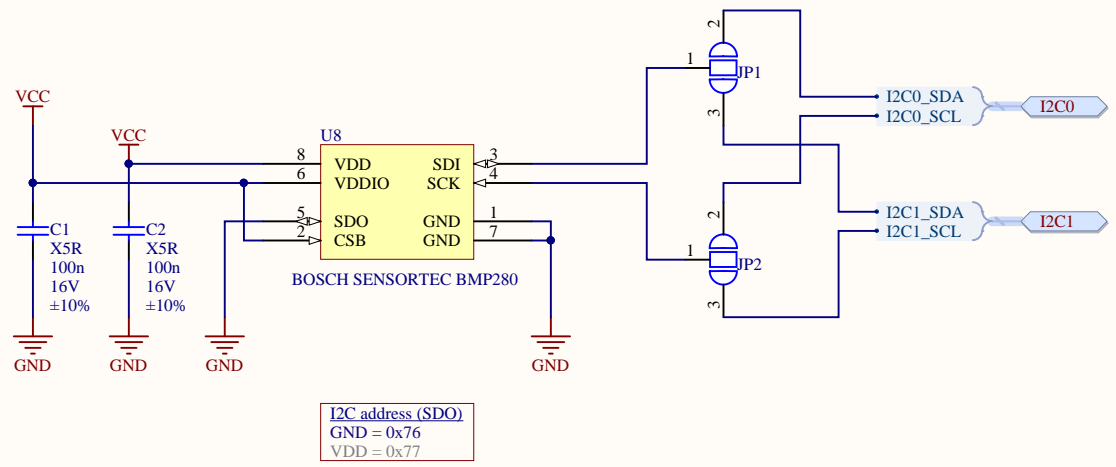



BOSCH Sensortec GmbH
 BST/PRM
 Gerhard-Kindler-Straße 9
 72770 Reutlingen
 Germany

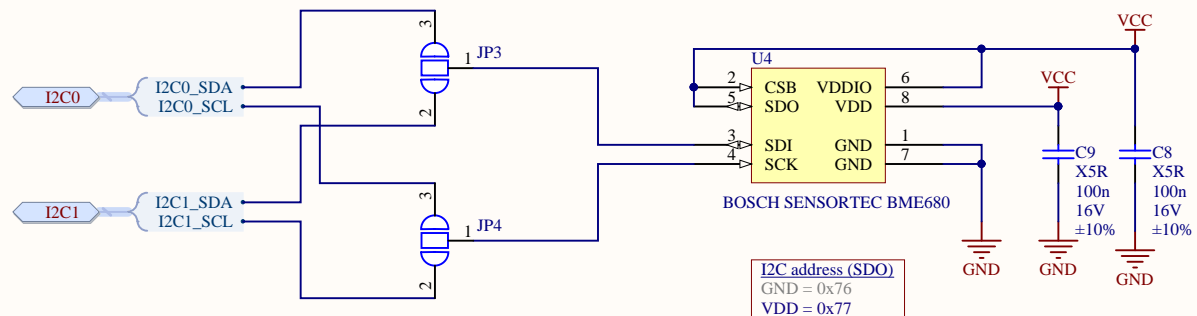



I2C address (SDO)
 GND = 0x68
 VDDIO = 0x69

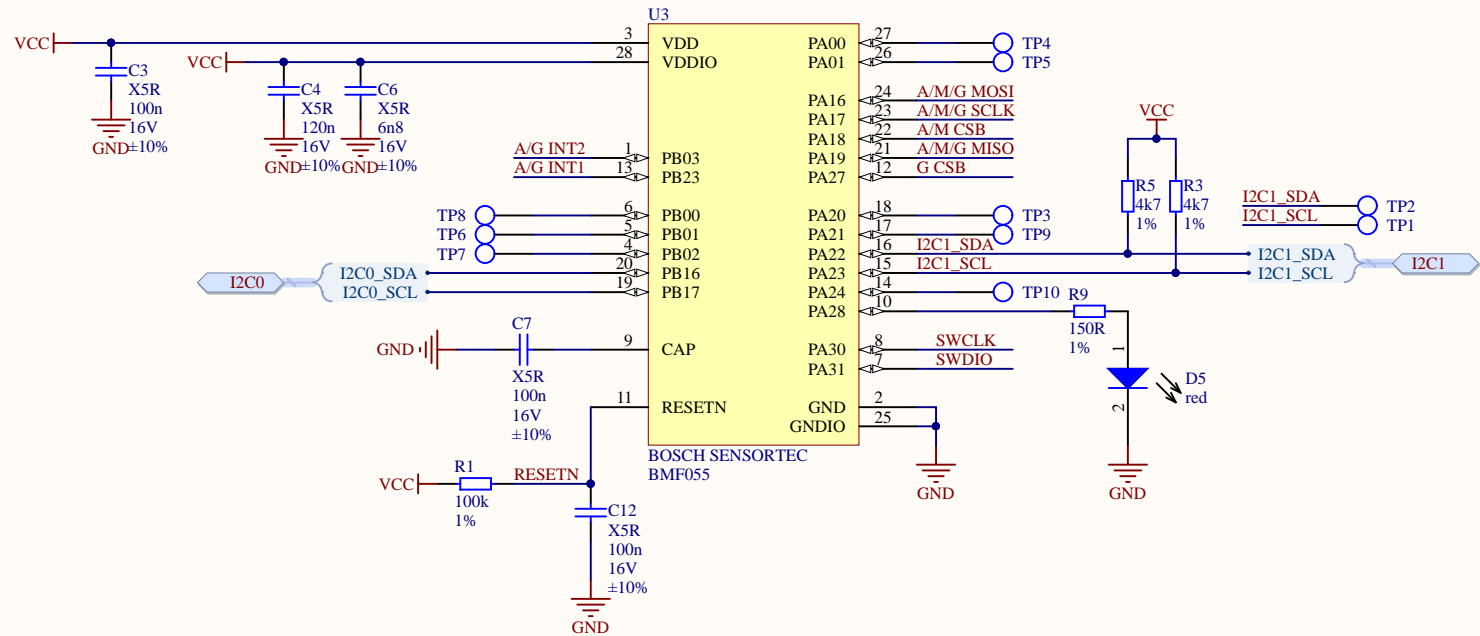
Title: BMI160.SchDoc		 BOSCH
Project: BST00294_Crazyflie20_sensor_deck_v2.PrjPcb		
Drawn by: BST/PRM - Lehmann		
Size: A4	Sheet 4 of 8	Revision: 1.0
Date: 23.05.2017	Time: 14:52:20	
File: C:\Users\stja7s\Documents\01_Allium\BST00294_Crazyflie20_sensor_deck_v2\BMI160.SchDoc		
		BOSCH Sensortec GmbH BST/PRM Gerhard-Kindler-Straße 9 72770 Reutlingen Germany



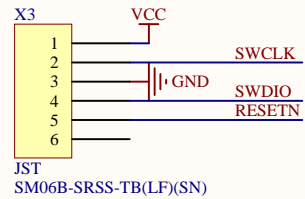
Title: BMP280.SchDoc			 BOSCH
Project: BST00294_Crazyflie20_sensor_deck_v2.PrjPcb			
Drawn by: BST/PRM - Lehmann			BOSCH Sensortec GmbH BST/PRM Gerhard-Kindler-Straße 9 72770 Reutlingen Germany
Size: A4	Sheet 5 of 8	Revision: 1.0	
Date: 23.05.2017	Time: 14:52:20		
File: C:\Users\stja7s\Documents\01_Allium\BST00294_Crazyflie20_sensor_deck_v2\BMP280.SchDoc			



Title: BME680.SchDoc		 BOSCH Sensortec GmbH BST/PRM Gerhard-Kindler-Straße 9 72770 Reutlingen Germany	
Project: BST00294_Crazyflie20_sensor_deck_v2.PrjPcb			
Drawn by: BST/PRM - Lehmann			
Size: A4	Sheet 6 of 8		Revision: 1.0
Date: 23.05.2017	Time: 14:52:20		
File: C:\Users\sjaja7\Documents\01_Allium\BST00294_Crazyflie20_sensor_deck_v2\BME680.SchDoc			



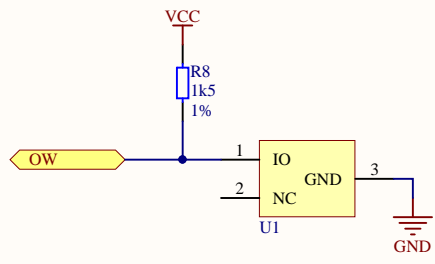
BMF055 Debug Connector




Title: BMF055.SchDoc		
Project: BST00294_Crazyflie20_sensor_deck_v2.PrjPcb		
Drawn by: BST/PRM - Lehmann		
Size: A4	Sheet 7 of 8	Revision: 1.0
Date: 23.05.2017	Time: 14:52:20	
File: C:\Users\stja7s\Documents\01_Allium\BST00294_Crazyflie20_sensor_deck_v2\BMF055.SchDoc		

BOSCH

BOSCH Sensortec GmbH
BST/PRM
Gerhard-Kindler-Straße 9
72770 Reutlingen
Germany



Title: DS28E05.SchDoc			
Project: BST00294_Crazyflie20_sensor_deck_v2.PrjPcb			
Drawn by: BST/PRM - Lehmann			BOSCH Sensortec GmbH BST/PRM Gerhard-Kindler-Straße 9 72770 Reutlingen Germany
Size: A4	Sheet 8 of 8	Revision: 1.0	
Date: 23.05.2017	Time: 14:52:20		
File: C:\User\stja7s\Documents\01_Allium\BST00294_Crazyflie20_sensor_deck_v2\DS28E05.SchDoc			